



Thermoplastic Belts

ELAClean®

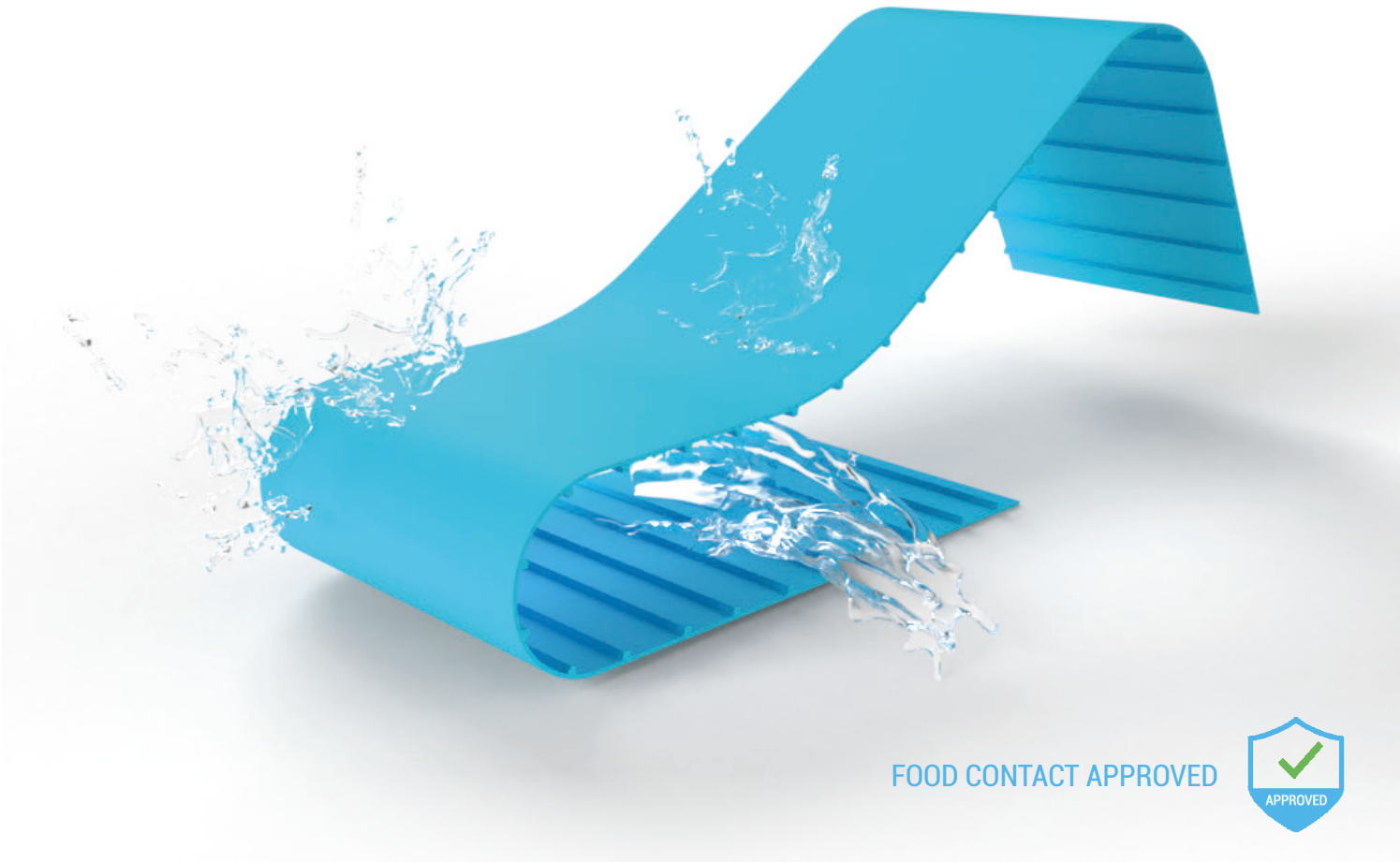


Elatech[®]
Technology in Motion.

For applications with direct food contact,
where the highest standards in food compliance are required.

ELAClean® is a new range of thermoplastic Polyurethane belts made by ELATECH, designed mainly for FOOD industry where the highest hygiene standards are required. This new product line, consisting of several versions and designs, is able to support different types of applications, ensuring the necessary quality standards.

ELAClean® technology combines flat, and positive driven feature, without cords. ELAClean® easy-to-clean surface reduces the risk of microbial contamination.



FOOD CONTACT APPROVED



Application fields: _____



DAIRY



MEAT



POULTRY



SNACK



FRUIT



VEGETABLE

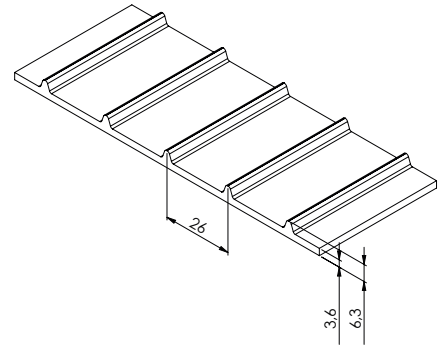
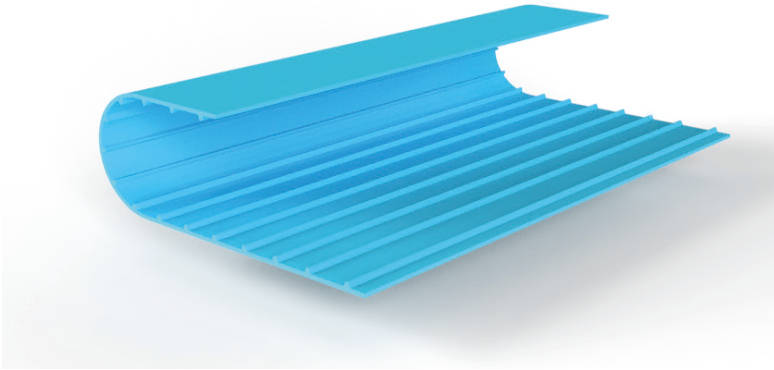


SEAFOOD

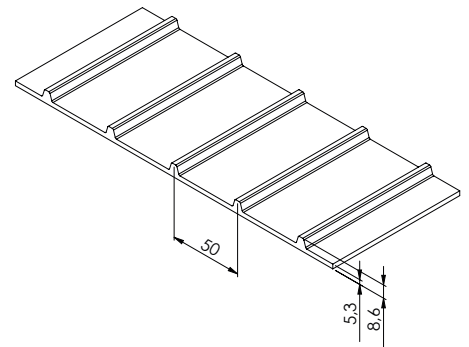
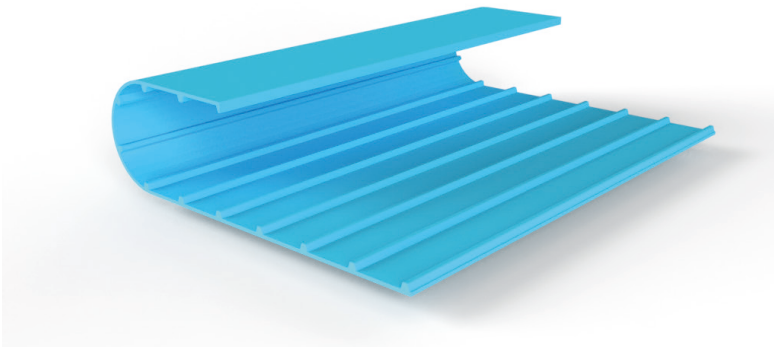


FISH

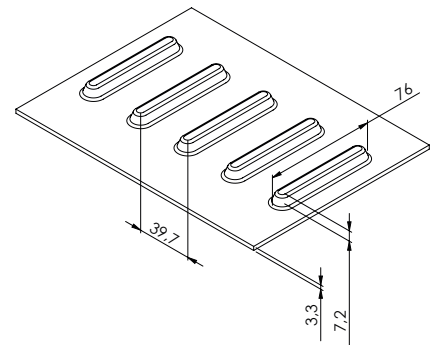
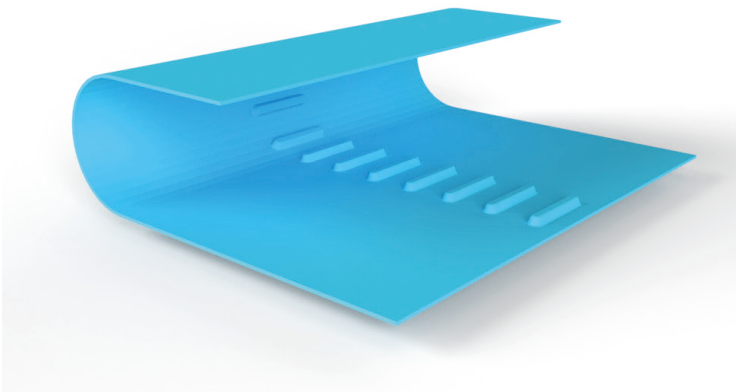
ECW - P1 without cords



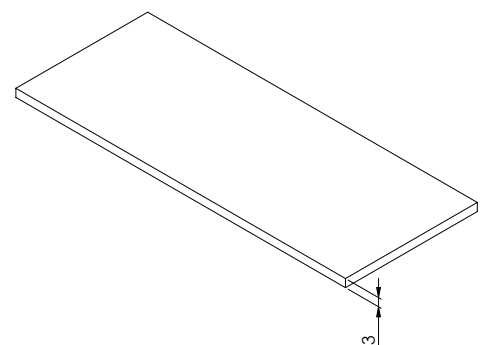
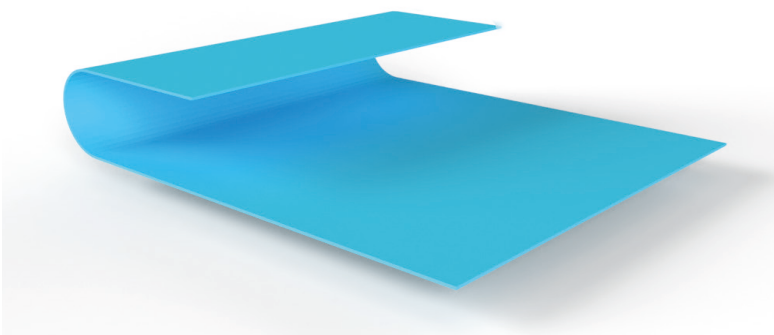
ECW - P2 without cords



ECW - C4 without cords



ECW - F3 without cords

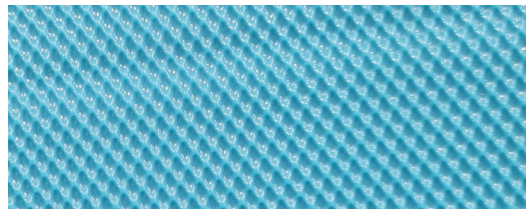


General characteristics - TPU 95 Sh.A

| Belt TYPE [Code] | A - PITCH | C - OVERALL BELT THICKNESS | STANDARD WIDTH | CORD TYPE | WORKING TEMPERATURE | STANDARD COLOUR | STANDARD ROLL LENGTH |
|------------------|-----------|----------------------------|----------------|-----------|-----------------------|-----------------|----------------------|
| ECW - P1N | 26 mm | 6,30 mm | 1800 mm | NO CORDS | -30 °C up to +80°C | Sky Blue | 60 m |
| ECW - P2N | 50 mm | 9,00 mm | 1800 mm | | | | 60 m |
| ECW - C4N | 39,7 mm | 10,50 mm | 1524 mm | | | | 60 m |
| ECW - F3N | - | 3,00 mm | 1800 mm | | | | 100 m |

Surface finishing

- Glossy surface
- Matte surface
- No-Cling surface



No-Cling surface

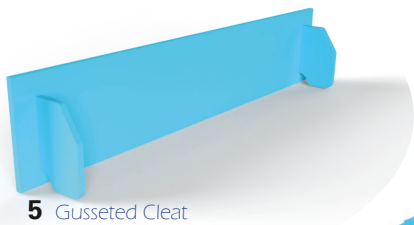
Main Features

- Possibility of easy and effective clean-in-place process (CIP)
- Urethane material compatible with wash down environments
- No fragmenting or chipping, compared with modular belts
- Environmental sustainability thanks to the reduction of cleaning labour, energy and water usage
- Reduced maintenance and sanitation costs and reduced downtime
- Sprockets compatibility: drop-in replacement for most thermoplastic belts in the market
- Ideal for replacement of plastic modular belts
- Longer belt life due to minimal belt stretch

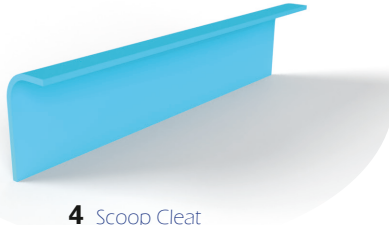


Custom belt design

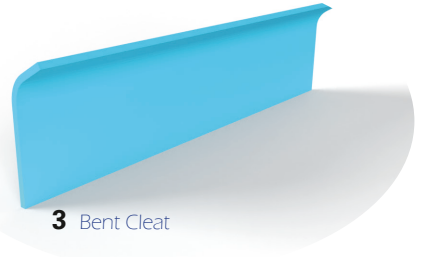
Customize the belt with the most suitable configuration according to your application needs.



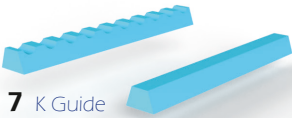
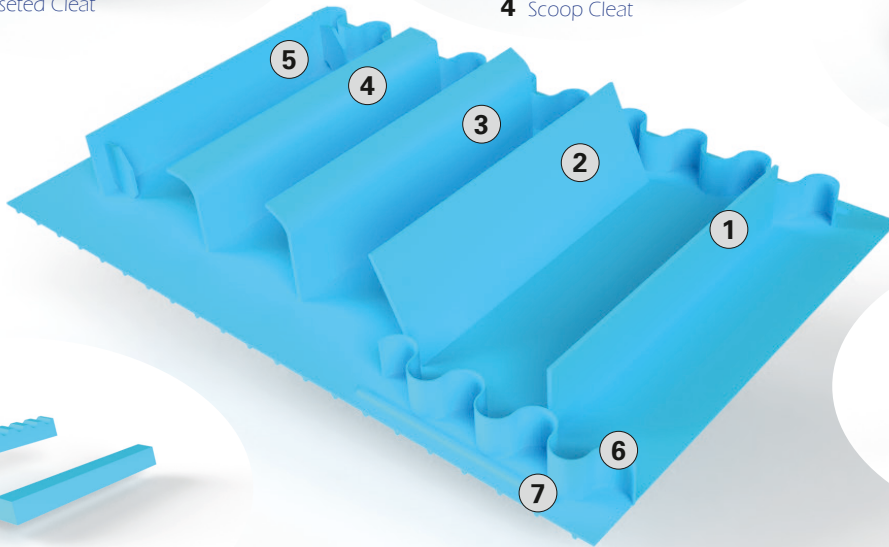
5 Gusseted Cleat



4 Scoop Cleat



3 Bent Cleat



7 K Guide



2 Inclined Cleat

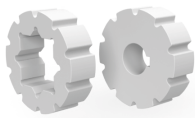


6 Corrugate side-wall



1 Straight Cleat

Accessories Sprockets & Wheels



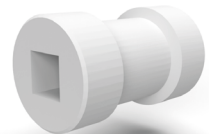
Sprockets ECSM1



Sprockets ECSM2



Sprocket ECSM4



Idler ECSM4



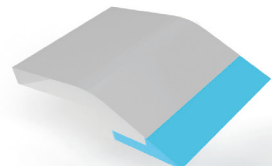
Idler with flange



Idler without flange



Retainer



Belt scraper

elatech.com

Elatech S.r.l.

Via Fonte Solforosa, 1 24012 – Val Brembilla (BG) Italy
info@elatech.com +39 0345 33 03 11